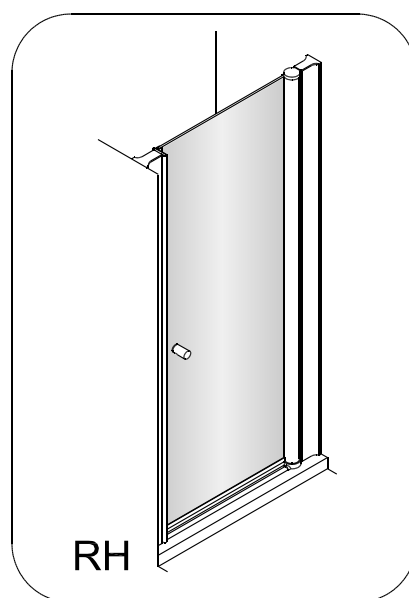
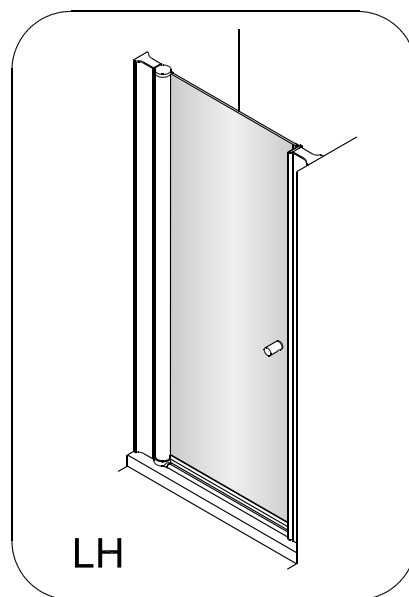
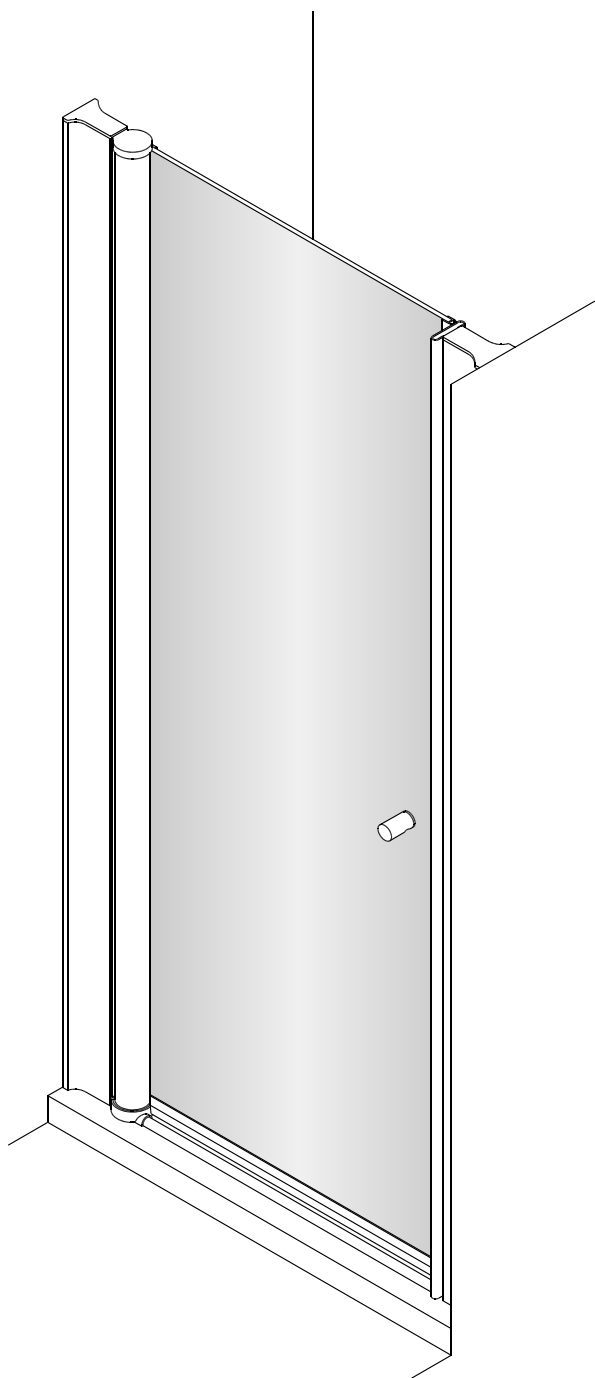
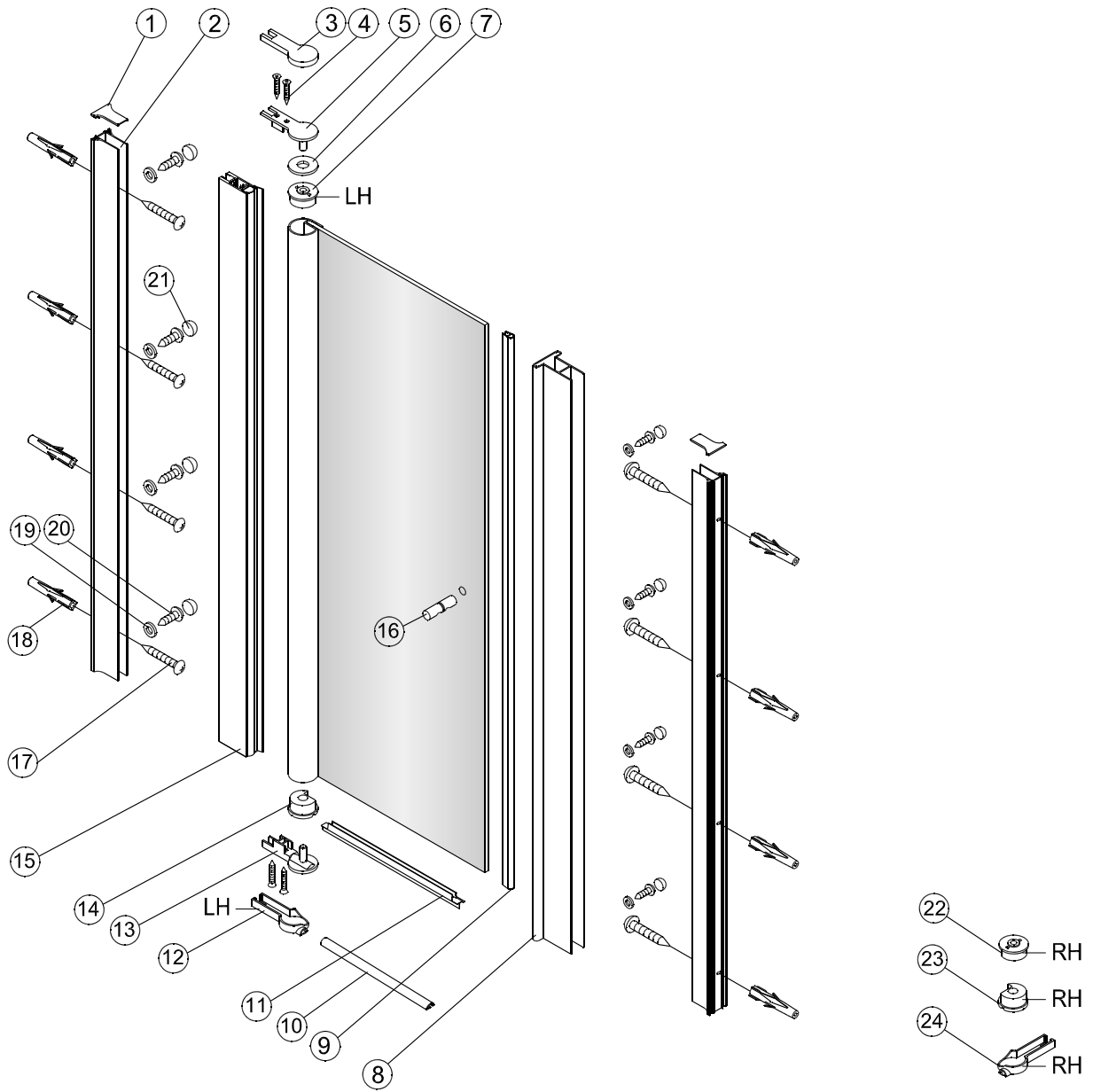
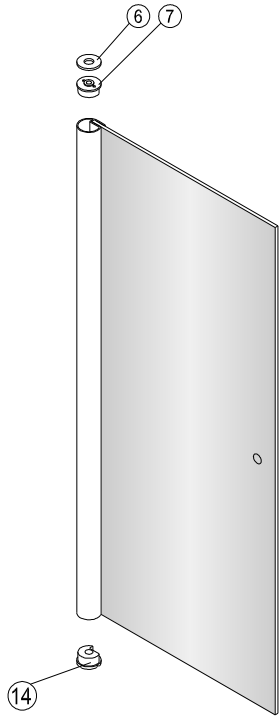
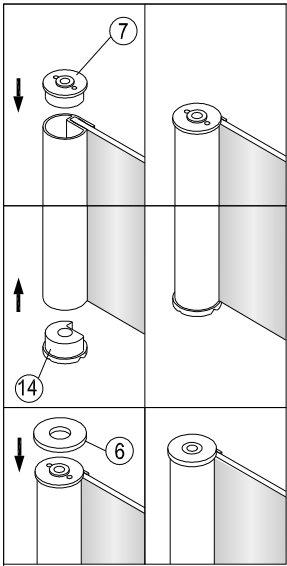


# QP10 Instruction Manual



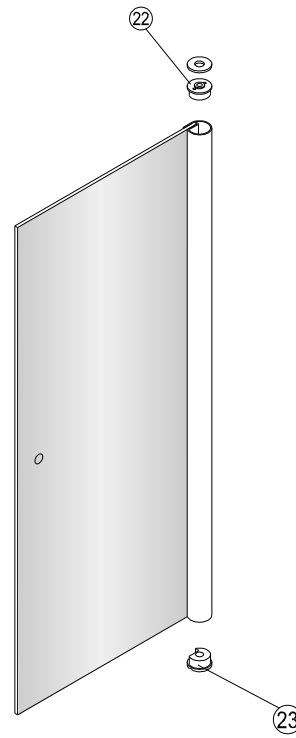


ITEM NO.	DESCRIPTION	QUANTITY	ITEM NO.	DESCRIPTION	QUANTITY
1	Wall Profile Cap	2	19	Washer	8
2	Wall Profile	2	20	ST4X12 Screw	8
3	Top hinge cover	1	21	ST4X12 Screw Cap	8
4	ST3.5X25 Screw	4	22	Top pivot kit (Right)	1
5	Top pivot	1	23	Bottom pivot kit (Right)	1
6	Top hinge cover	1	24	Bottom hinge cover (Right)	1
7	Top pivot kit (Left)	1	<b>TOOLS REQUIRED</b>  		
8	Adjustable profile 1	1			
9	Waterproof strip	1			
10	Waterproof profile	1			
11	Bottom waterproof strip	1			
12	Bottom hinge cover (Left)	1			
13	Bottom pivot	1			
14	Bottom pivot kit (Left)	1			
15	Adjustable profile 2	1			
16	Handle	1			
17	ST4X50 Screw	8			
18	Wall Plug	8			

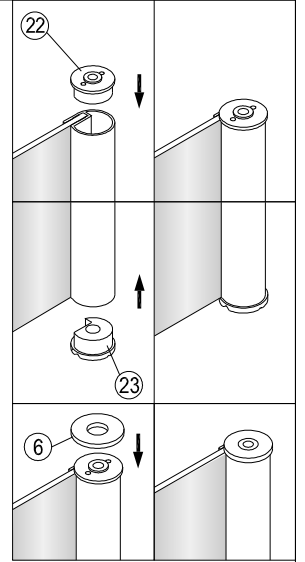


Left hand

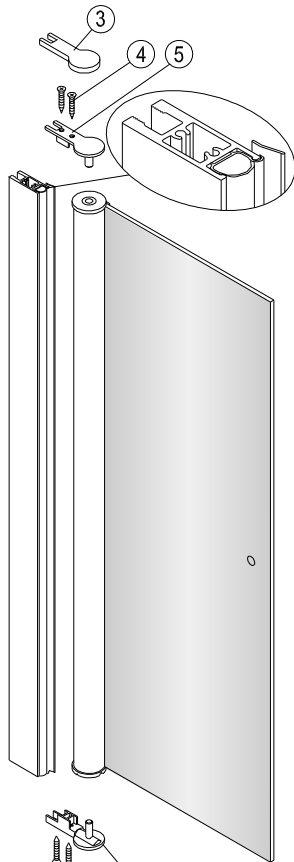
1



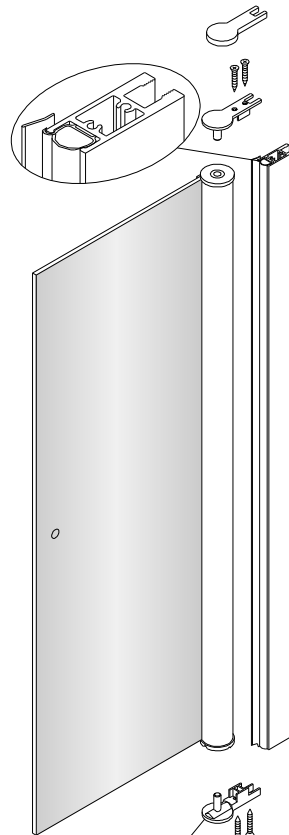
Right hand



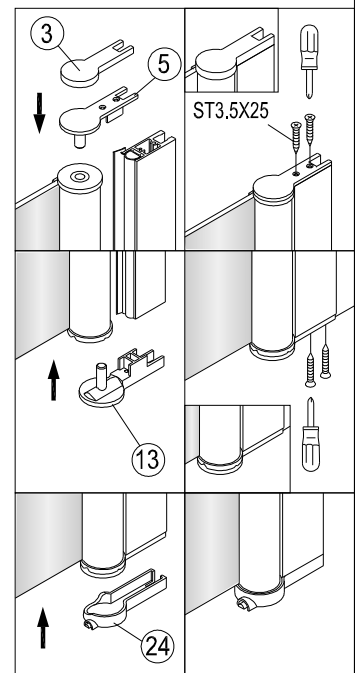
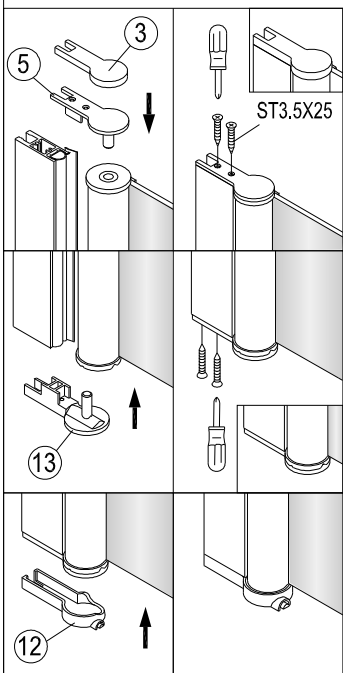
2



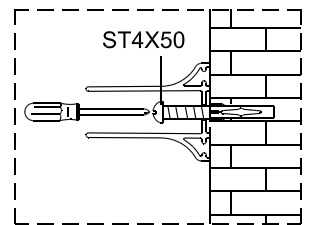
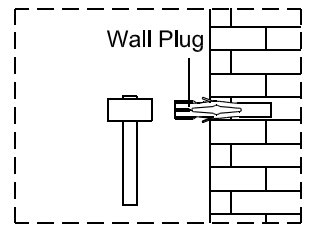
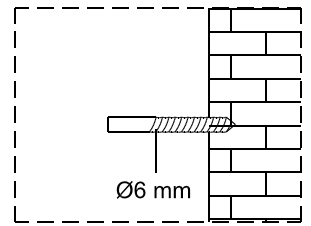
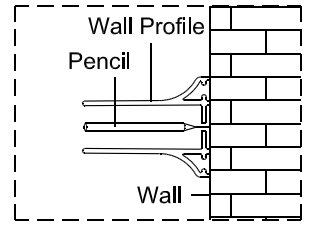
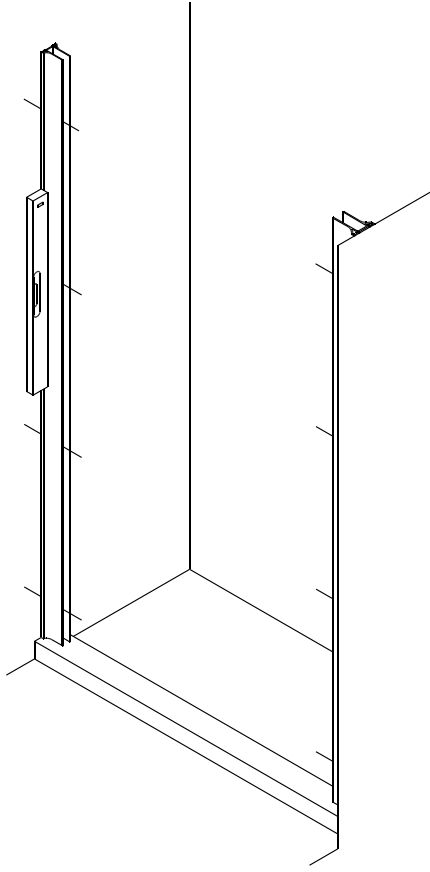
Left hand



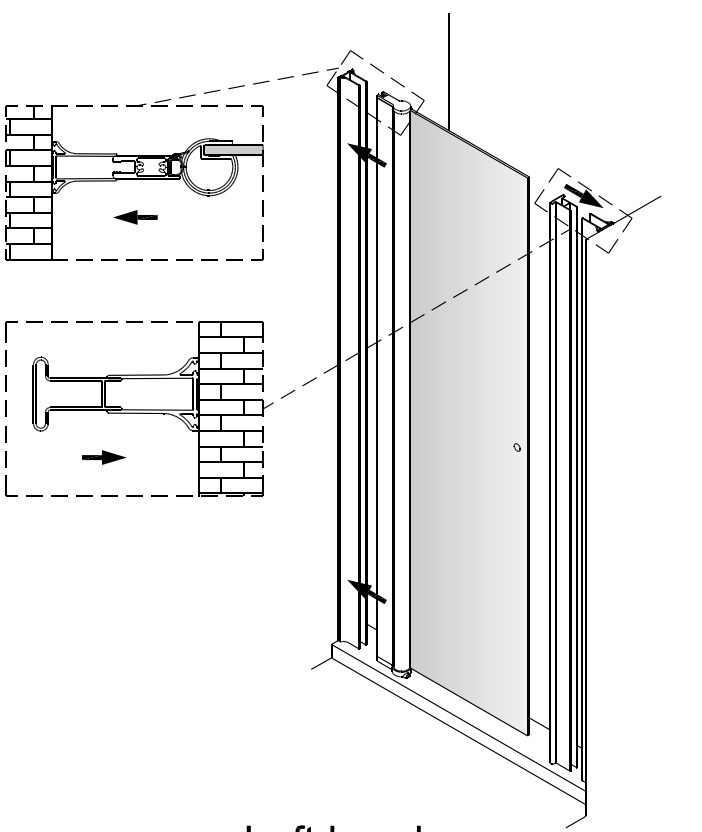
Right hand



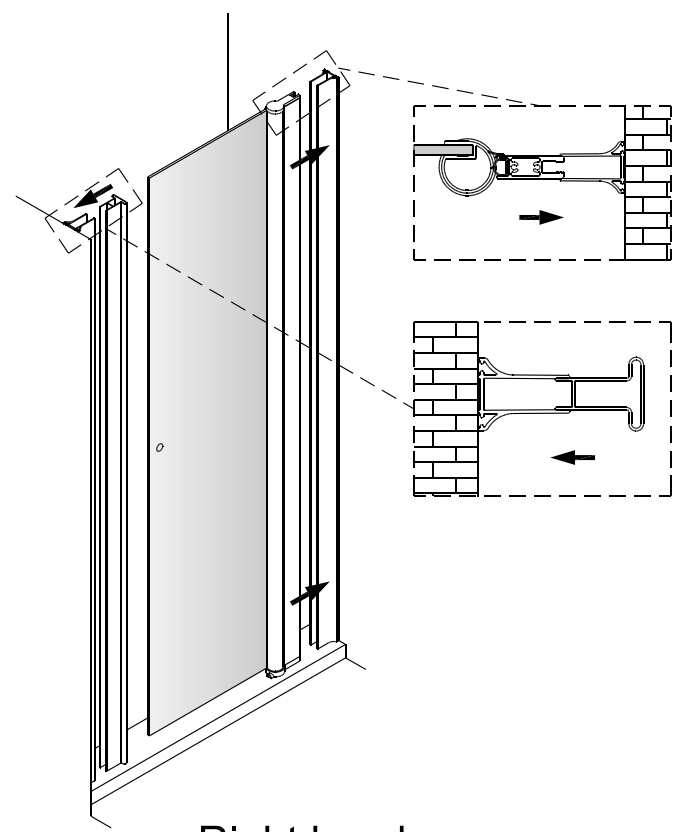
3



4

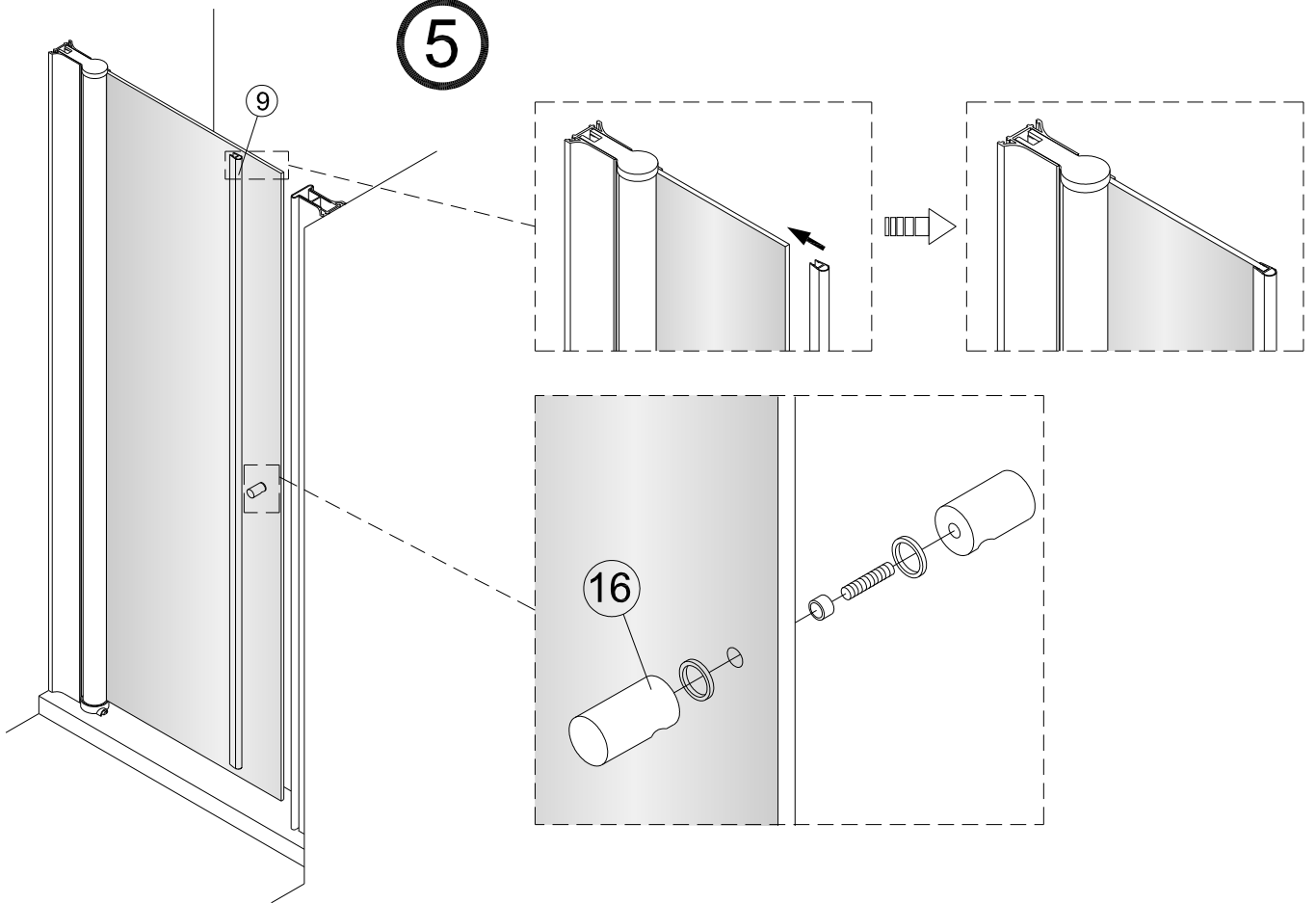


Left hand

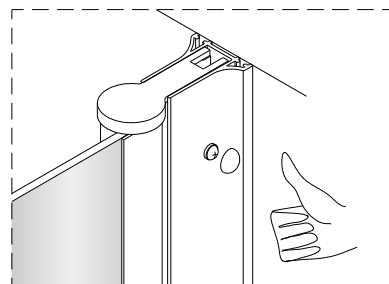
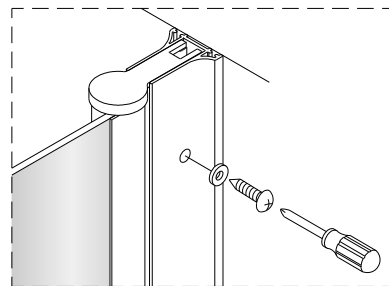
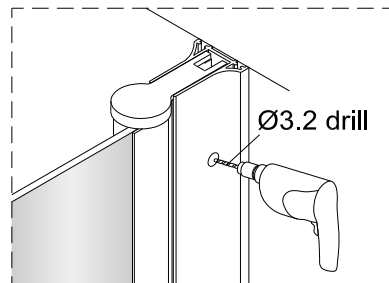
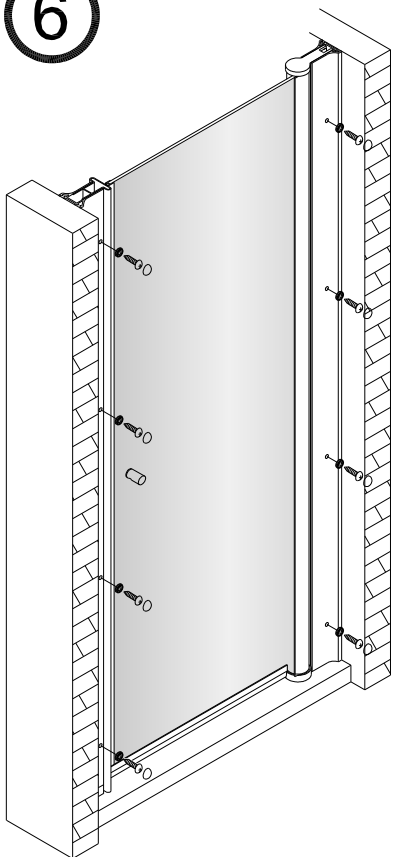


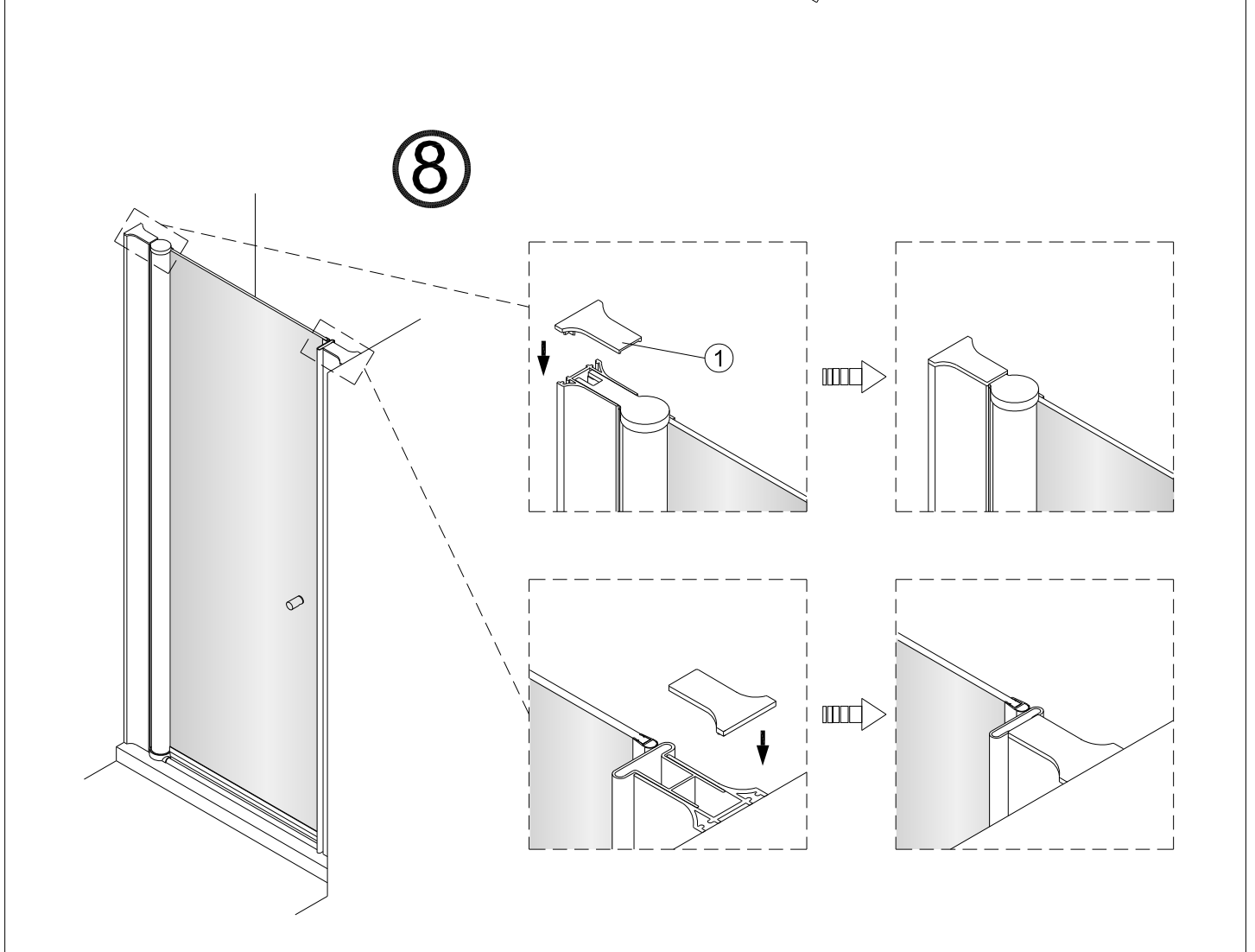
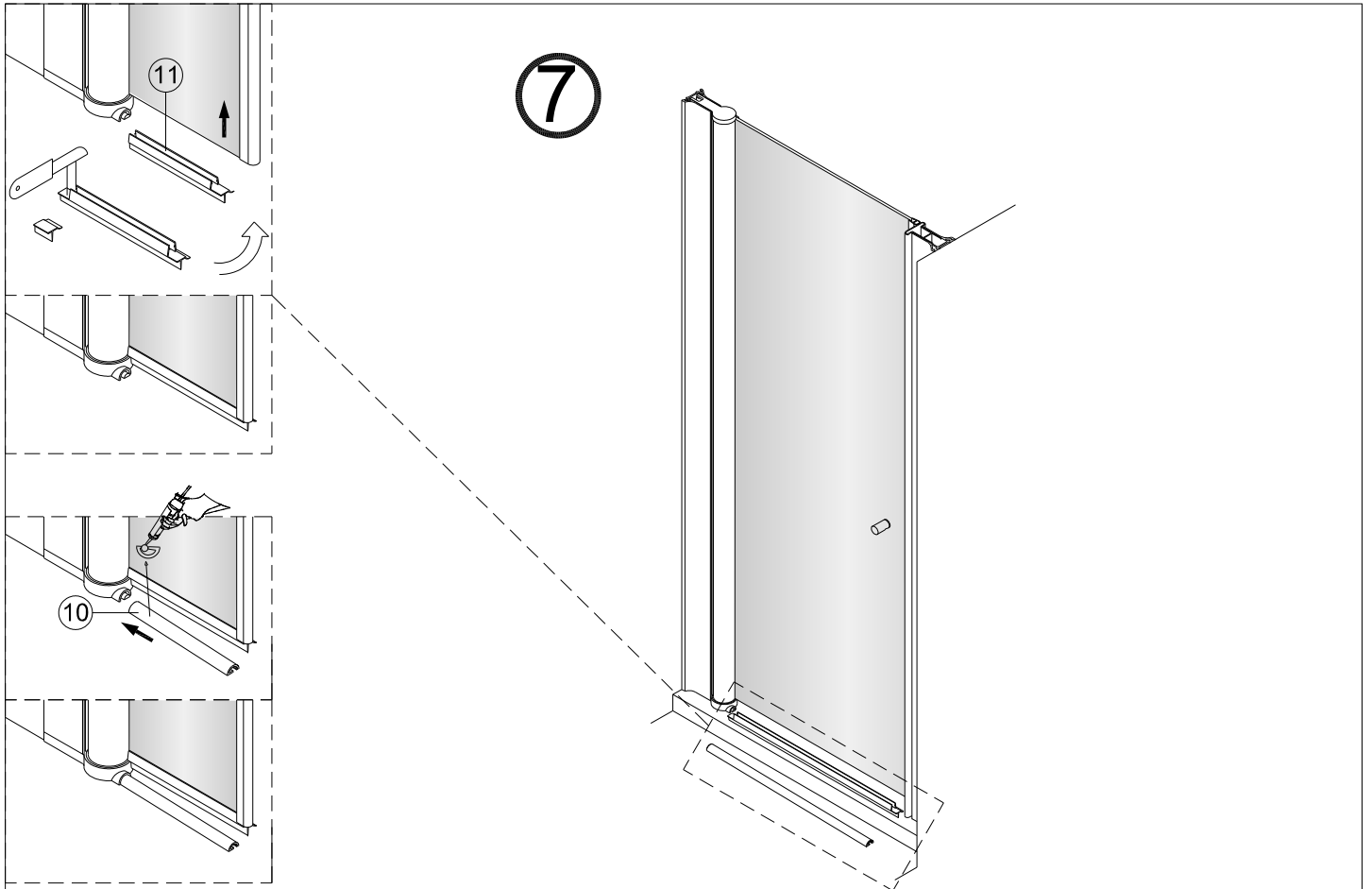
Right hand

5



6





9

